

D

D

C

C

B

B

A

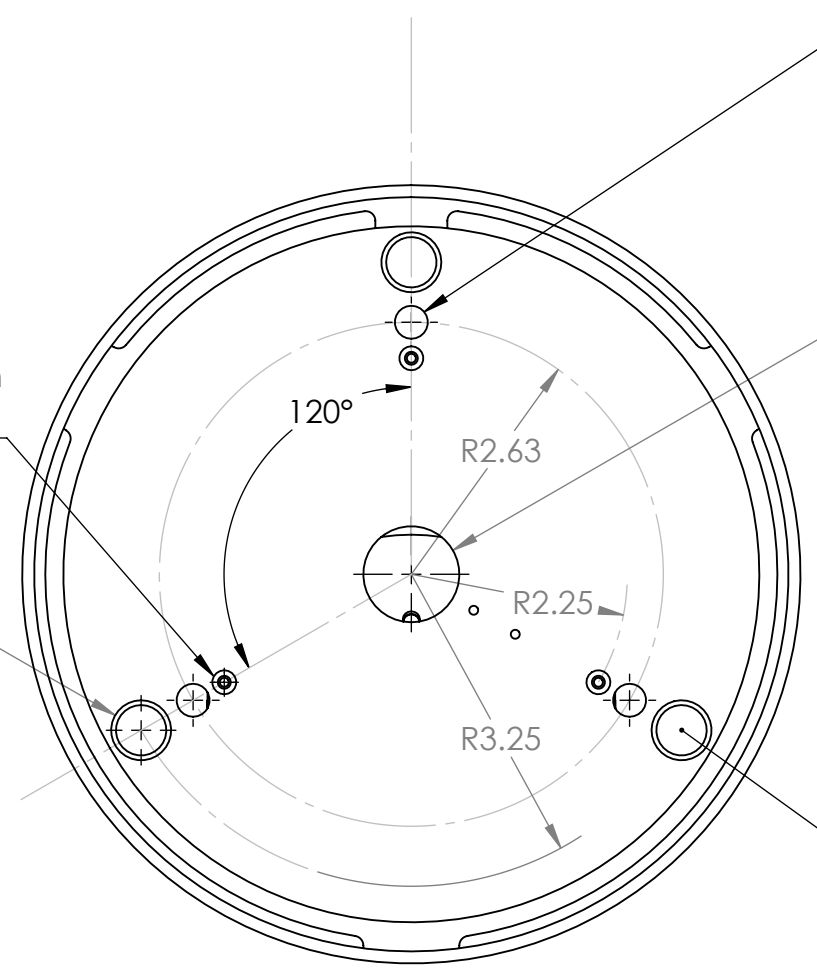
A

7/32 Standoffs (3).  
To prevent base  
deformation when  
securing base to  
display surface.

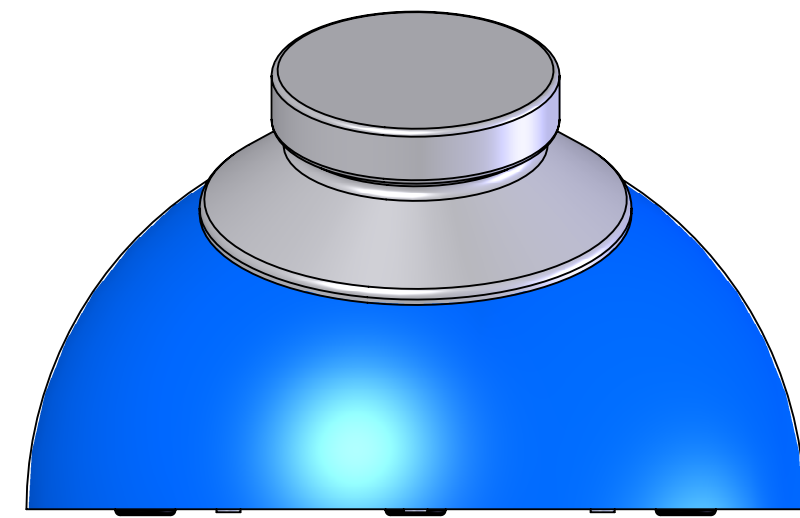
1/4-20 threaded inserts for mounting (3).  
Inserts mounted flush to bottom plate.  
Inserts not shown.

Ø 1.00 Hole. Opening for  
component wiring and grounding lug.  
Grounding lug and wiring not shown.

Rubber feet (3).



Bottom View



Front View



**PROPRIETARY AND CONFIDENTIAL**  
THE INFORMATION CONTAINED IN THIS  
DRAWING IS THE SOLE PROPERTY OF  
Technofrolics. ANY REPRODUCTION IN  
PART OR AS A WHOLE WITHOUT THE  
WRITTEN PERMISSION OF Technofrolics IS  
PROHIBITED.

|                           |                   |                                      |  |              |               |
|---------------------------|-------------------|--------------------------------------|--|--------------|---------------|
|                           |                   | UNLESS OTHERWISE SPECIFIED:          |  | NAME         | DATE          |
|                           |                   | DIMENSIONS ARE IN INCHES             |  | DRAWN        | DBH 12/9/2011 |
|                           |                   | TOLERANCES:                          |  | CHECKED      |               |
|                           |                   | FRACTIONAL ±                         |  | ENG APPR.    |               |
|                           |                   | ANGULAR: MACH ± BEND ±               |  | MFG APPR.    |               |
|                           |                   | TWO PLACE DECIMAL ±                  |  | Q.A.         |               |
|                           |                   | THREE PLACE DECIMAL ±                |  | COMMENTS:    |               |
|                           |                   | INTERPRET GEOMETRIC TOLERANCING PER: |  |              |               |
|                           |                   | MATERIAL                             |  |              |               |
|                           |                   | FINISH                               |  |              |               |
| NEXT ASSY                 | USED ON           |                                      |  |              |               |
| APPLICATION               |                   | DO NOT SCALE DRAWING                 |  |              |               |
| <b>TITLE:</b>             |                   |                                      |  |              |               |
| <b>Spin Browser™ Dome</b> |                   |                                      |  |              |               |
| SIZE                      | DWG. NO.          |                                      |  | REV          |               |
| <b>B</b>                  | <b>DomeAssy3B</b> |                                      |  |              |               |
| SCALE: 1:2                |                   | WEIGHT:                              |  | SHEET 1 OF 1 |               |